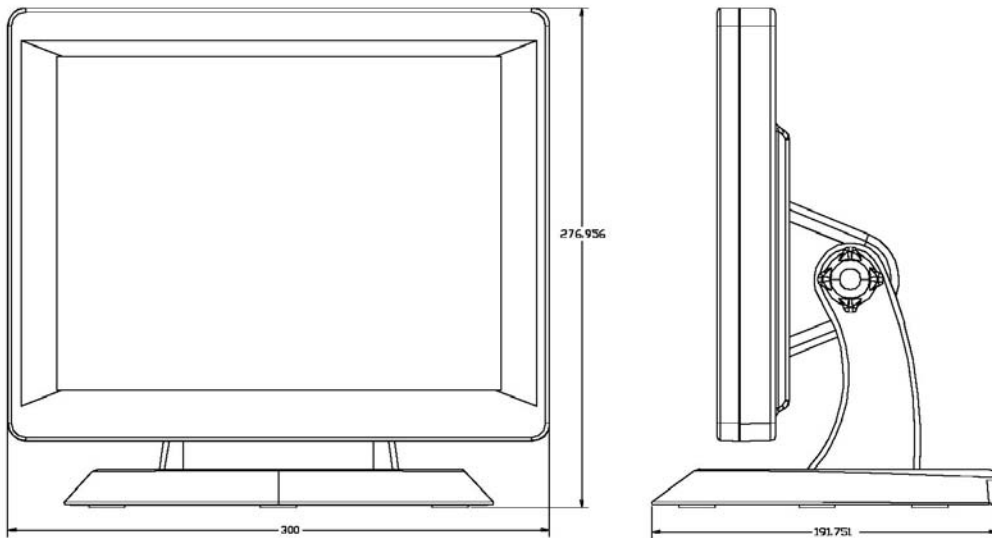


User's Manual

MON-121X Series

12.1" TFT monitor



Contents

Models -----	1
Unpack -----	1
Cabling -----	2
Control plate -----	2
MSR setting -----	4
Touch screen Installation -----	4
Safety Information -----	4

(1) Models

MON-1210	12.1" TFT Monitor
MON-1211	12.1" TFT Monitor with MSR Triple Track, PS/2 keyboard interface
MON-1212	12.1" TFT Monitor with Touch Screen, PS/2 mouse interface
MON-1213	12.1" TFT Monitor with MSR Triple Track, PS/2 keyboard interface and Touch Screen, PS/2 mouse interface

Note 1: The connector color of the MSR is beige

The connector color of the touch Screen is black

Note 2: MSR has RS-232 or USB optional interfaces

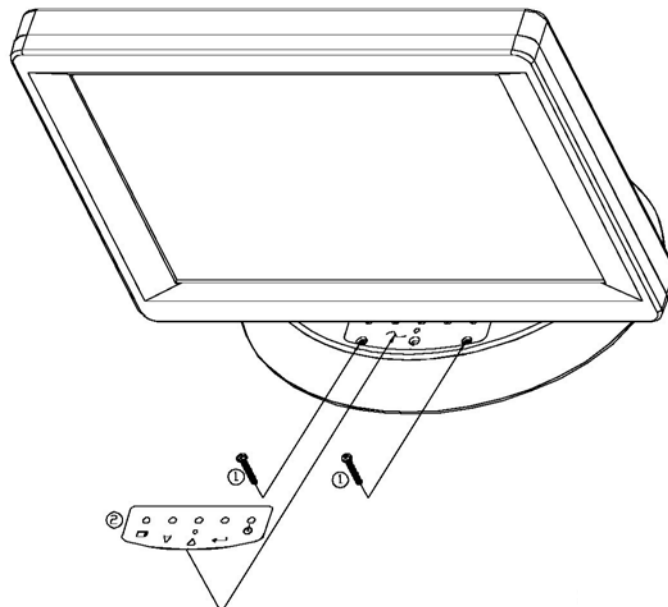
Touch Screen has RS-232 or USB optional interfaces

(2) Unpacking

The following part list is for reference only. Due to different options, the parts content in the package may be different. If any items are damaged or missing, please contact your supplier immediately. Please keep the packing materials for further usage, such as moving or shipping the system and etc.

- * 12.1" TFT monitor
- * AC-DC power adapter with power cord 110V or 220V
- * User's manual
- * CD disk for models with MSR or touch screen for setting/installation
- * Fixing screws for model with touch screen

Note: It is strongly recommended to use the bundled fixing screws to secure the stability of the touch screen monitor while operation.



(3) Cabling

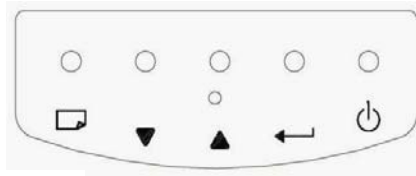
MON-1210 : cable with VGA connector.





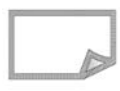
MON-1211 : cables with VGA connector and mini-din keyboard connector for MSR

MON-1212 : cables with VGA connector and mini-din PS/2 mouse connector for touch screen.

MON-1213 : cables with VGA connector and mini-din keyboard connector for MSR and mini-din PS/2 mouse connector for touch screen

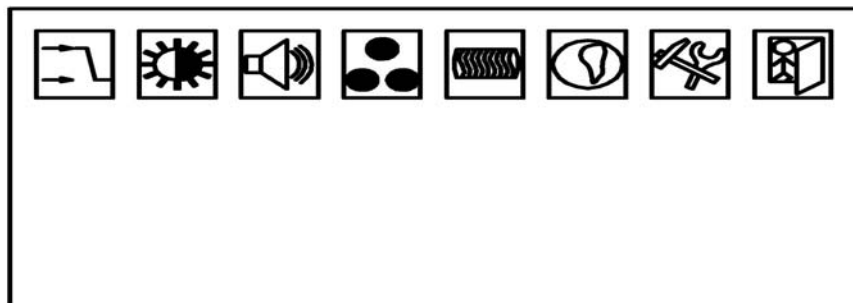
(4) Control panel



- a. Power switch  : To switch on or off
- b. AUTO  : Press AUTO button to set optimal OSD value automatically
- c. LED : To indicate monitor at on/off status
- d.  : Press the button to increase the values of a selected OSD option, or use it to shift between different OSD options.
- e.  : Press the button to decrease the value of a selected OSD option, or use it to shift between different OSD options.
- f. MENU  : Press the menu button to enable the On Screen Display (OSD) function.

It is also used for to entering or quitting the selected OSD options.

Following screen picture will be shown after pressing MENU button



(5) OSD Adjustment:

Due to differences between various video adapter on the market, the OSD adjustment is used for optimizing the viewing environment to match the specific type of video adapter.

. Signal Select 

VGA - Select the image signal from VGA cable

DVI - Select the image coming from the DVI cable (option)

Exit - Close the signal select OSD menu

. Video 

Brightness - Adjust the luminance level in the image

Contrast - Adjust the difference in luminance between light and dark areas of the image

Black Level - Adjust the black level in the image

Exit - Close the video OSD menu

. Audio  (not support)

. Color 

Color Temperature

User - Adjust the R.G.B. gain level

6500K - Select color temperature to 6500K

9300K - Select color temperature to 9300K

Exit - Close the color temperature

Flesh Tone - Adjust the flesh tone of the image

Hue - Adjust the shade of the image color

Saturation - Adjust the saturation of the image color

Exit - close the color OSD menu

. Image 

Auto Tune - Adjust geometry of the image automatically


H. Width - Adjust the horizontal sync size of signal

H. Phase - Adjust the horizontal sync phase of signal

H. Position - Adjust the horizontal; position of the image

V. Position - Adjust the vertical position of the image

Exit - Close the image OSD menu

. Language 

Sets the language of the OSD windows

. Tools 

OSD Control

OSD Timer – Setting the OSD menu display time

OSD H. Position – Adjust horizontal of the OSD menu


OSD V. Position – Adjust the vertical position of the OSD menu

Exit – Close the OSD control OSD menu

Recall – recall the factory default setting

Sharpness – Adjust the picture display more clear

Exit – Close the tools OSD menu

. Exit  - Close OSD menu

MSR setting

Please refer to the bundled CD for MSR setting

Touch Screen Installation

Please refer to the touch screen bundled CD for touch screen installation

Safety information

1. Read and follow safety information carefully.
2. Do not use unapproved attachments which recommended by manufacturer or dealer.
3. Use the device away from wet circumstances, such as kitchen sink, washbowl, and etc.
4. It is not recommended to place monitor on an unstable cart, stand or table and not rest anything on the power cord.
5. Monitor will creates heat due to its electronic characteristic; the heat issue was well managed from its design. However, it is not commended to place the device on a bed, sofa, rug, or similar surface. It is not recommended to place the monitor near or over a radiator or heat register and not place the monitor in a bookcase or cabinet unless proper ventilation is provided.
6. A proper power adapter secures a safety operation of the monitor. If you have any query of using the power adapter, please check with your dealer. The power cord is a three-wire grounded plug, a plug with a third (grounding) pin.
7. Unplug it from the system when unused it for long periods of time or lightening storm occurs.
8. It may cause a fire or electric shock when overload power outlet and extension cords.
9. Although the monitor is designed to protect the water spill, however, it is recommended not to spill water on the monitor.
10. Please unplug and contact dealer or authorized technician if monitor does not work normally, especially, unusual sounds or smells com from it.
11. Please do not try to service the device by yourself, you may touch dangerous voltage or other hazards.